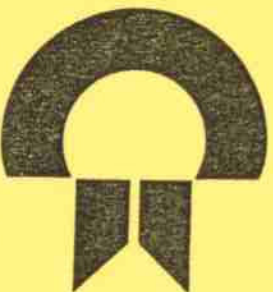


System Schematics

Service Addendum

A1200

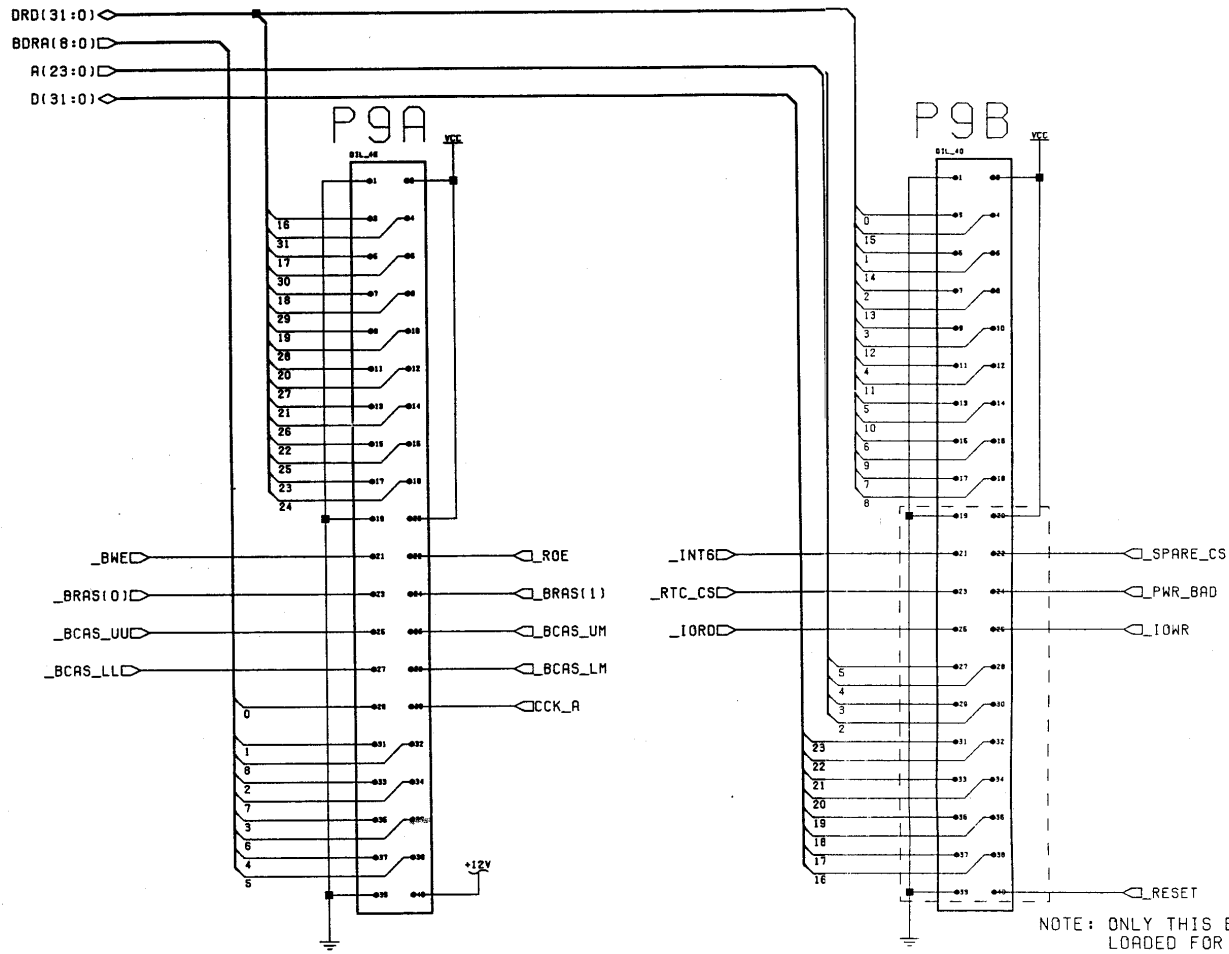


Commodore

Commodore
AMIGA

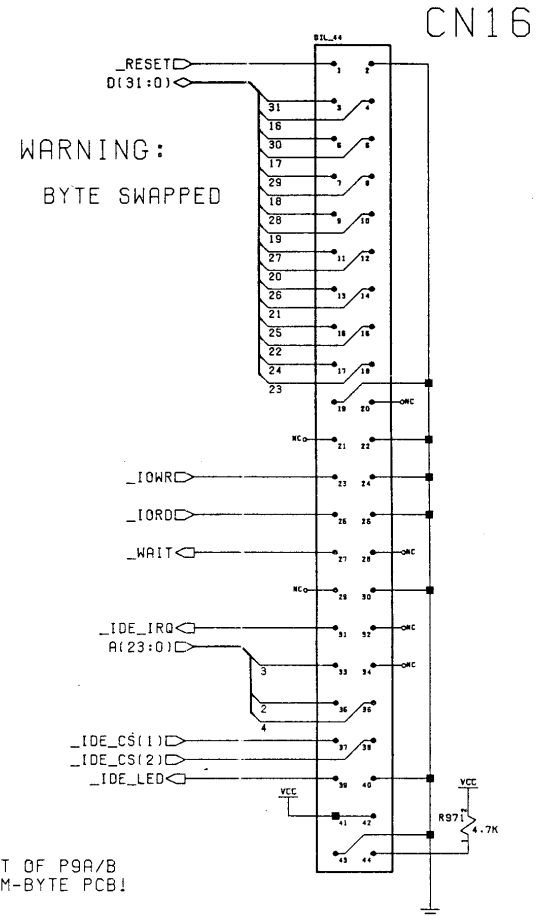
Commodore Business Machines, Inc.
Technology Group
1200 Wilson Drive, West Chester, Pennsylvania 19380, USA.

MEMORY EXPANSION



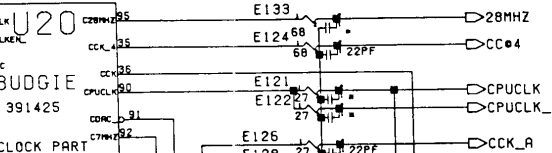
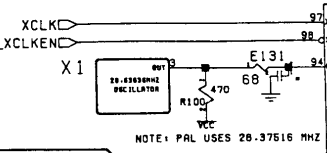
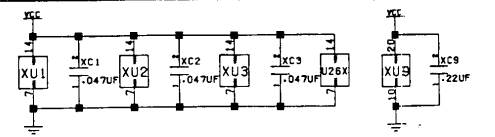
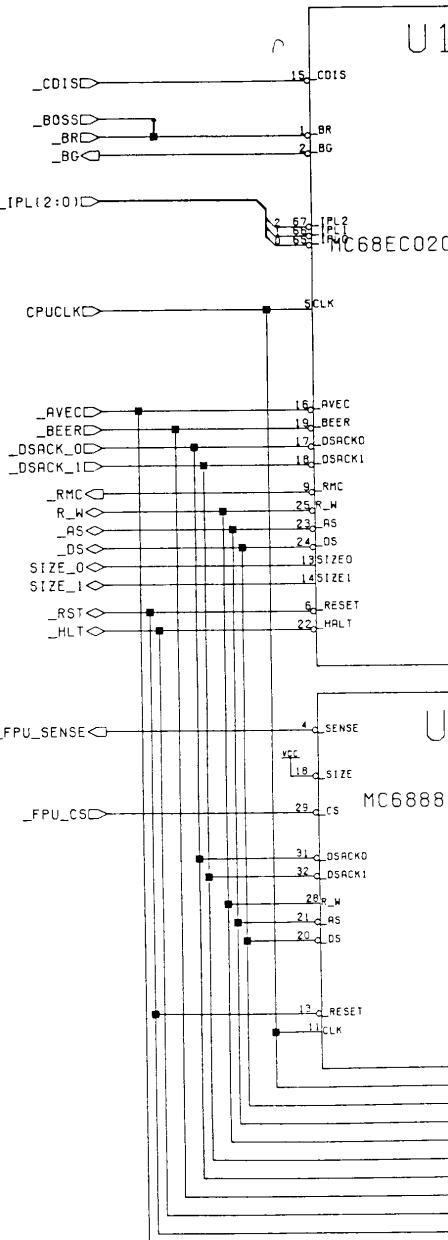
NOTE: ONLY THIS BIT OF P9A/B
LOADED FOR 2M-BYTE PCB!

IDE DRIVE



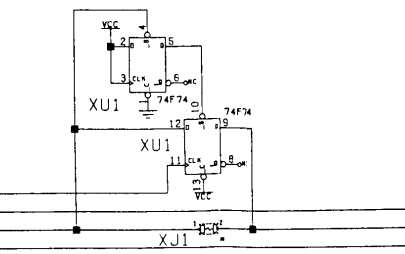
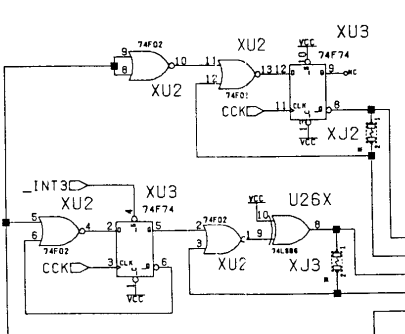
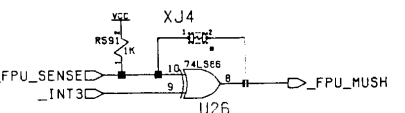
CHANNEL Z 10/10/92

D(31:0)
A(23:0)
FC(2:0)

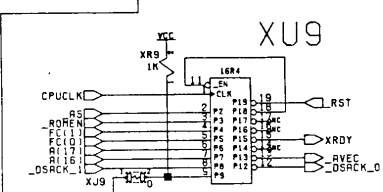
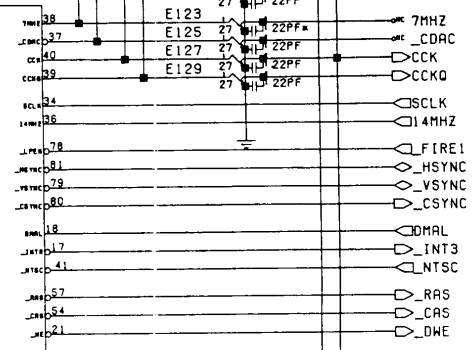


OOPS!
ALL THIS STUFF SERVES TO CORRECT ONE MINOR GAYLE BUG AND A NUMBER OF ALICE DEFICIENCIES NOT YET CORRECTED. ASSUMING THE CHANGES ARE IMPLEMENTED IN THE PRODUCTION GAULE CHIP, THEN ALL THIS SILLYNESS IS BEST ERASED...

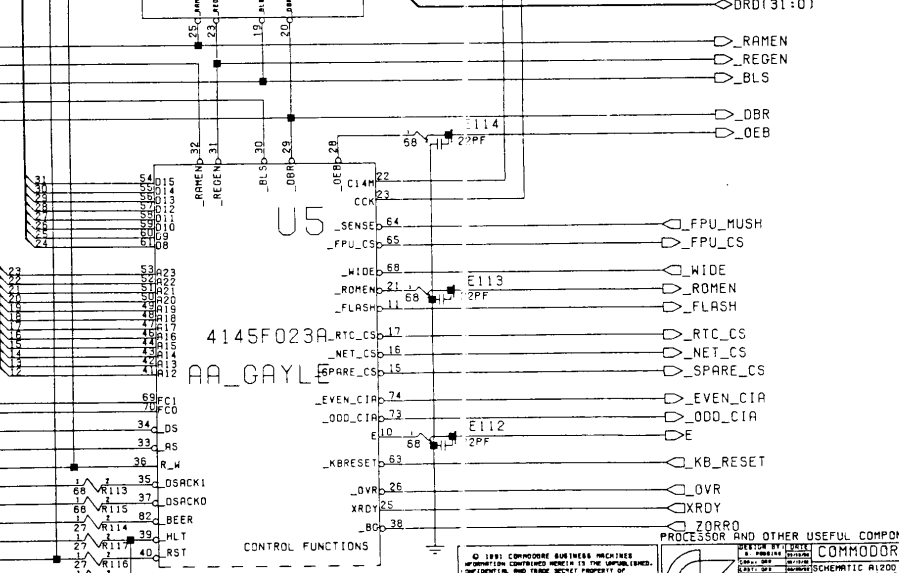
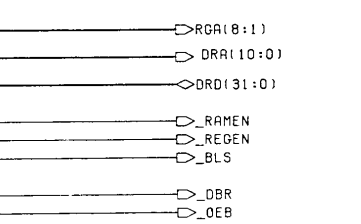
REFERENCE	OLD GAYLE	NEW GAYLE
XU1	74F74	NONE
XU2	74F02	NONE
XU3	74F74	NONE
U26X	74F86	NONE
XJ4	0 OHM	OUT
XJ1	OUT	0 OHM
XJ2	OUT	0 OHM
XJ3	OUT	0 OHM
U26	NOTE	74LS86



OOPS!
8374 ALICE



OOPS! - 32-BIT / SLOW ROM
XJ9 IN - ADD ROM WAIT



A1200 REV 1->1D PCB

NOTE: VARIOUS COMPONENTS ARE FOR EMI CONTROL AND MAY BE LOADED WITH FUNNY THINGS...

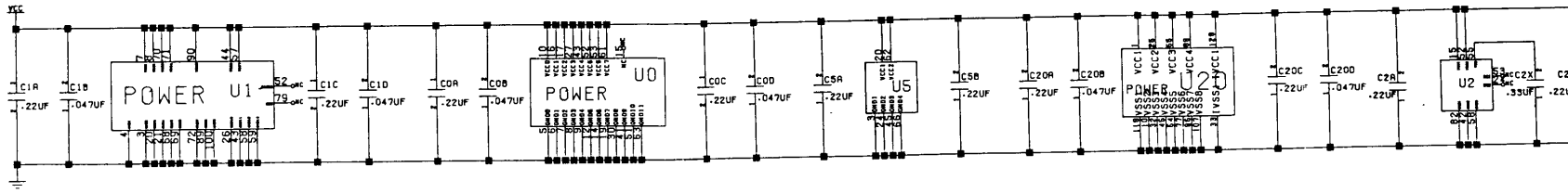
PROCESSOR AND OTHER USEFUL COMPONENTS

COMMODORE

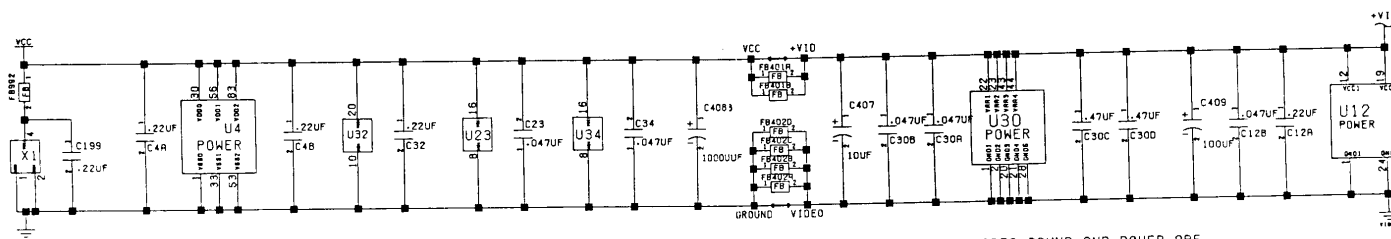
364717

364717

GENERAL DECOUPLING

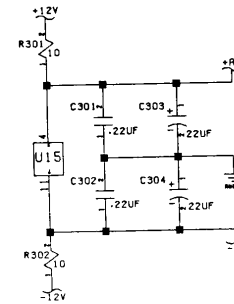


VIDEO DECOUPLING

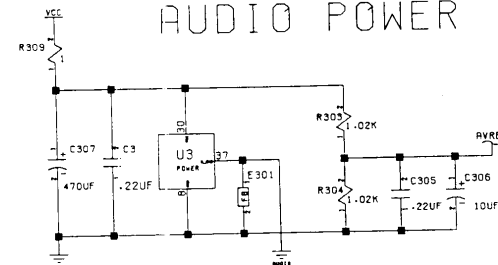


NOTE: AS OF REV IC, LOGIC AND VIDEO GROUND AND POWER ARE THE SAME NET, BUT ROUTED DISCRETELY EXCEPT AT DAC1
ALSO ADDED C30C AND C30D FOR OVERKILL DAC DECOUPLING.

AUDIO DECOUPLING

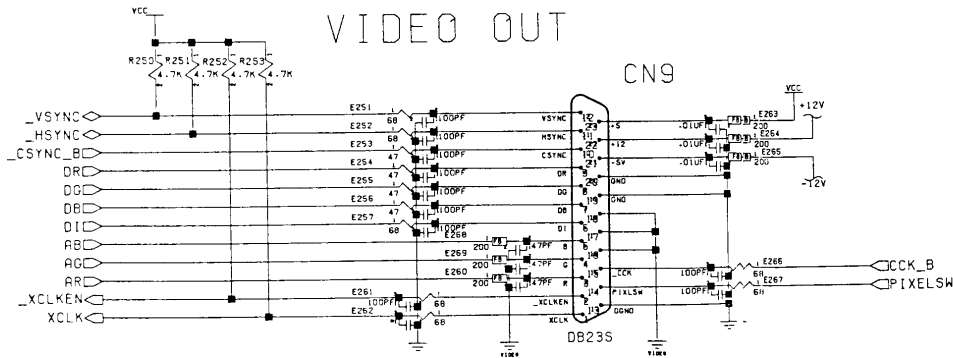


AUDIO POWER



NOTE: GROUND INTERCONNECTION NEAR AUDIO JACKS.

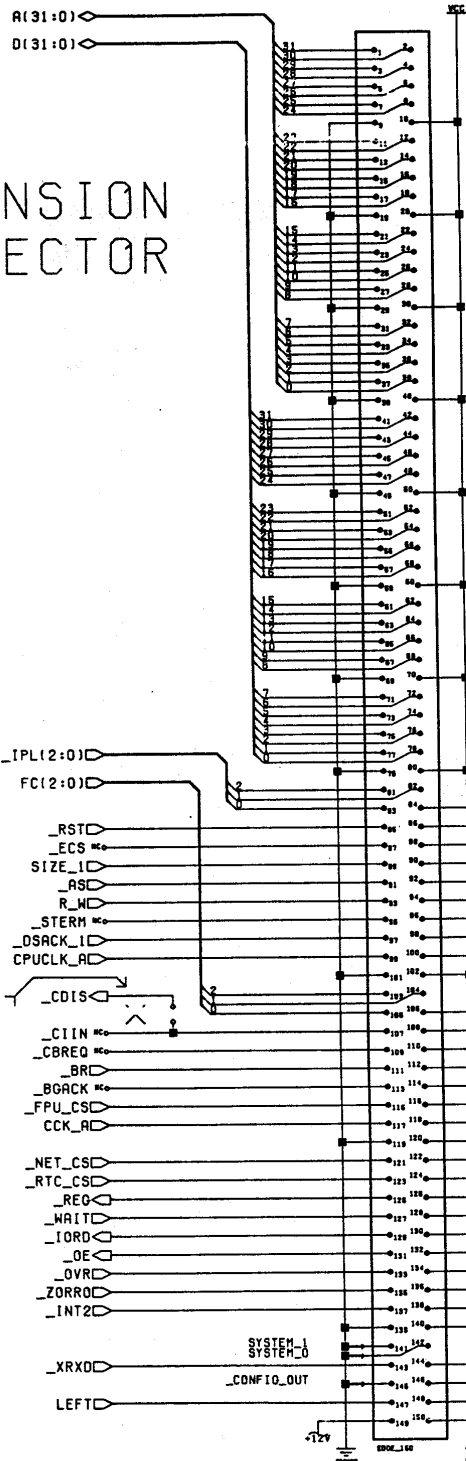
VIDEO OUT



A1200 REV 1->1D PCB

PARTY OUT OF BOUNDS. WHAT A MESS...
COMMODORE
 © 1981 COMMODORE BUSINESS MACHINES
 ALL RIGHTS RESERVED. THIS DOCUMENT IS THE PROPERTY OF COMMODORE BUSINESS MACHINES, INC. AND USE, REPRODUCTION OR DISCLOSURE OF THIS INFORMATION WITHOUT THE PRIOR WRITTEN PERMISSION OF COMMODORE IS STRICTLY PROHIBITED.
 C.A.D. GENERATED
 SHEET 6 OF 13

EXPANSION CONNECTOR

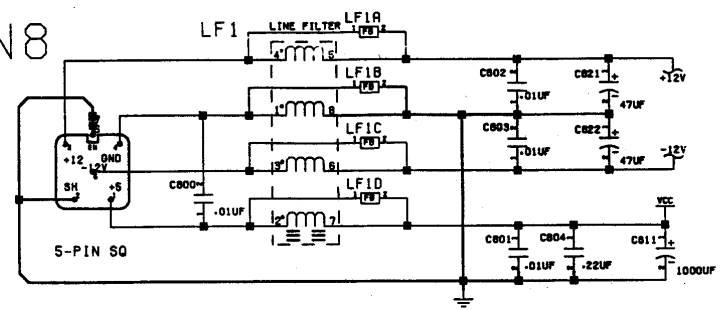


DELETED R18 PCB

P1

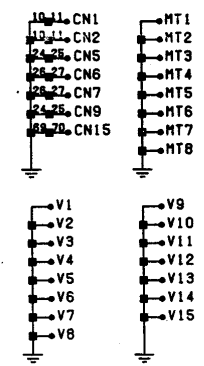
POWER INPUT

CN8

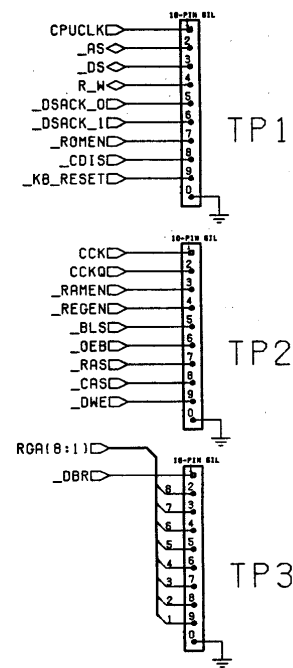


NOTE: HEAVY LINES INDICATE A SINGLE POINT CONNECTION

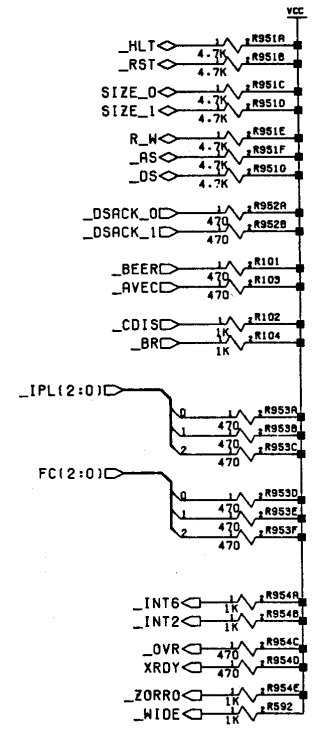
HOLES & C.



TEST ACCESS



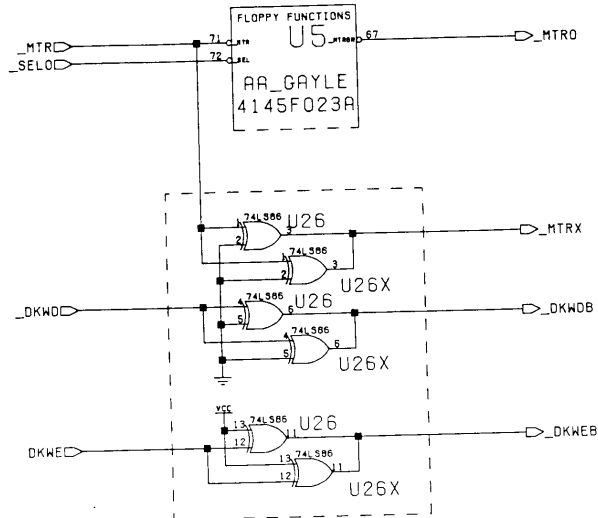
TERMINATION



SYSTEM CONFIGURATION BITS

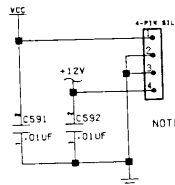
SYSTEM	1	0	0	0	1	1	0	0	1	1
	0	0	0	0	0	0	0	0	0	0
	0	0	0	0	0	0	0	0	0	0
	1	0	0	0	0	0	0	0	0	0
	1	1	0	0	0	0	0	0	0	0

FLOPPY LOGIC



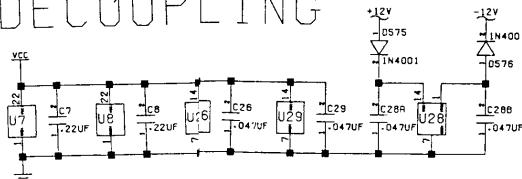
SEE DOPS ON PAGE 2...
U26 AND U26X MAY OVERLAP!

FLOPPY POWER

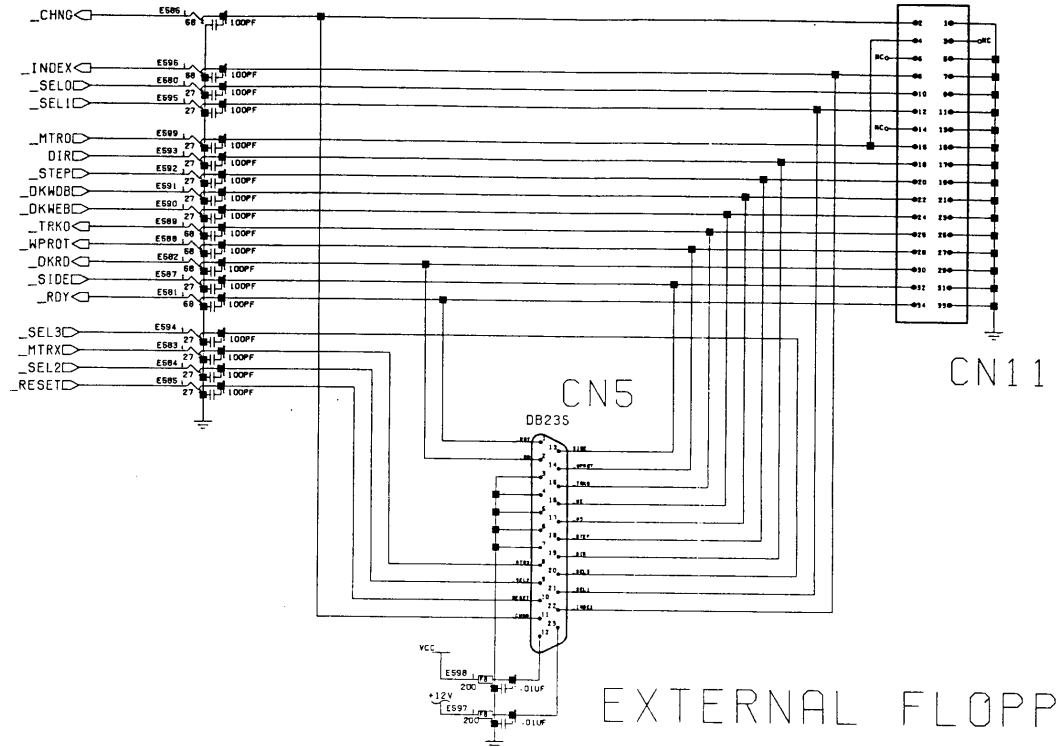


CN12
NOTE: SOME DRIVES ARE +5 ONLY...

DECOUPLING



INTERNAL FLOPPY



EXTERNAL FLOPPY

A1200 REV 1->1D PCB

© 1981 COMMODORE BUSINESS MACHINES
 ALL RIGHTS RESERVED. COMMODORE BUSINESS MACHINES IS THE UNPUBLISHED, PROPRIETARY AND TRADE SECRET PROPERTY OF COMMODORE BUSINESS MACHINES, INC. MAY USE, REPRODUCE OR DISSEMINATE THIS INFORMATION WITHOUT THE PRIOR WRITTEN PERMISSION OF COMMODORE IS STRICTLY PROHIBITED.

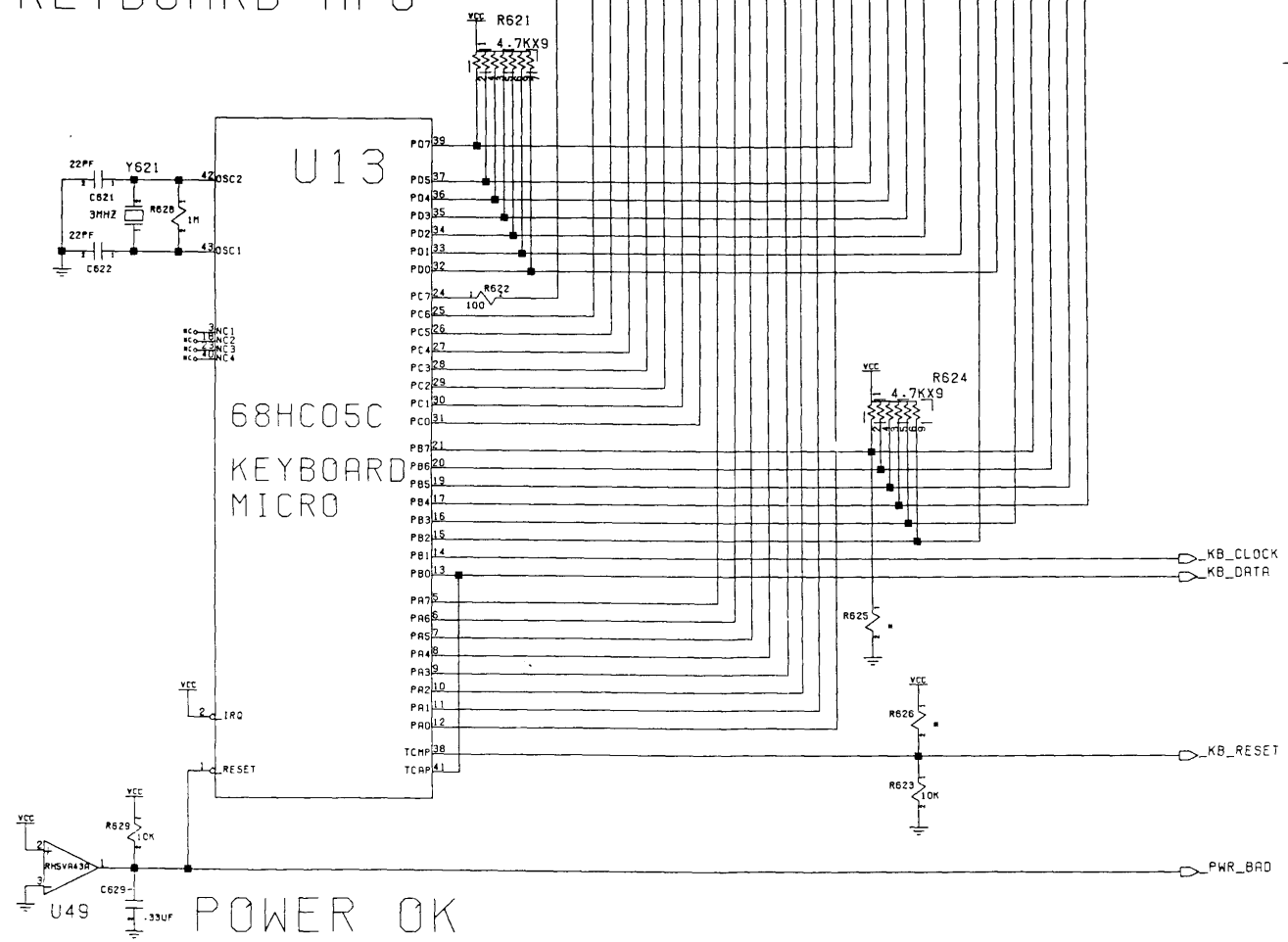
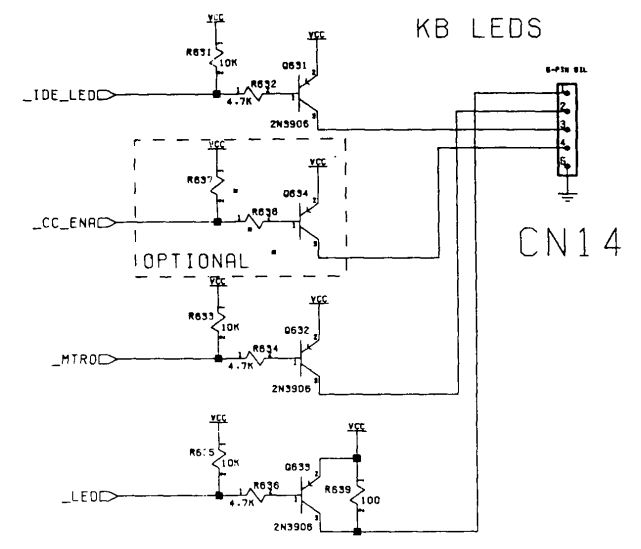
THE REST OF THE FLOPPY STUFF

DESIGNED BY: [blank] CHECKED BY: [blank]
 DRAWN BY: [blank] DATE: [blank]
 PARTS LIST: [blank]
 SHEET: [blank] OF [blank]
 CHANNEL 2
 SCALE: [blank]

C.R.D. GENERATED
 SHEET 8 OF 13

KEYBOARD TAIL CN13

KEYBOARD MPU



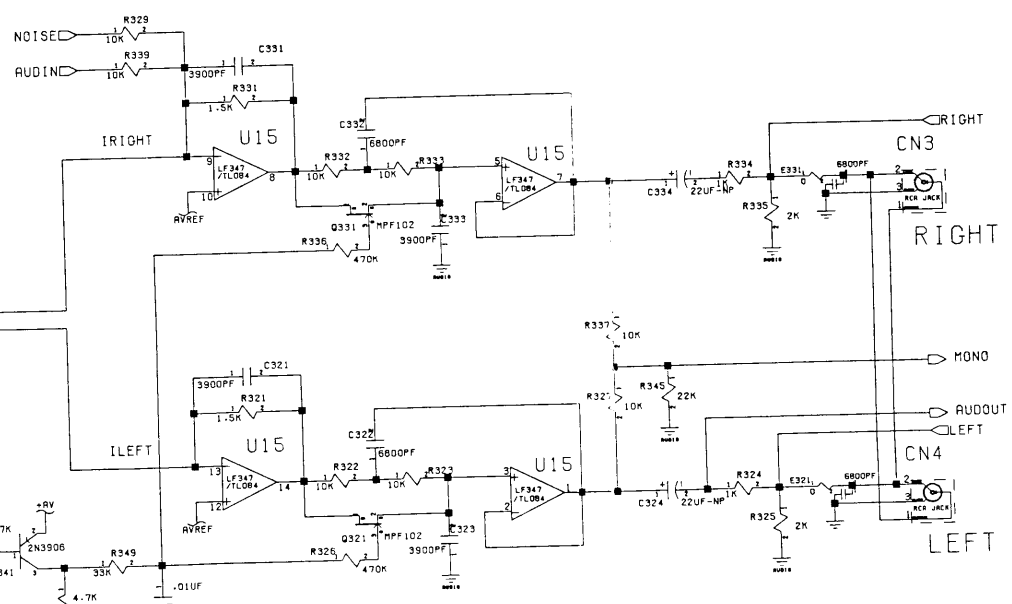
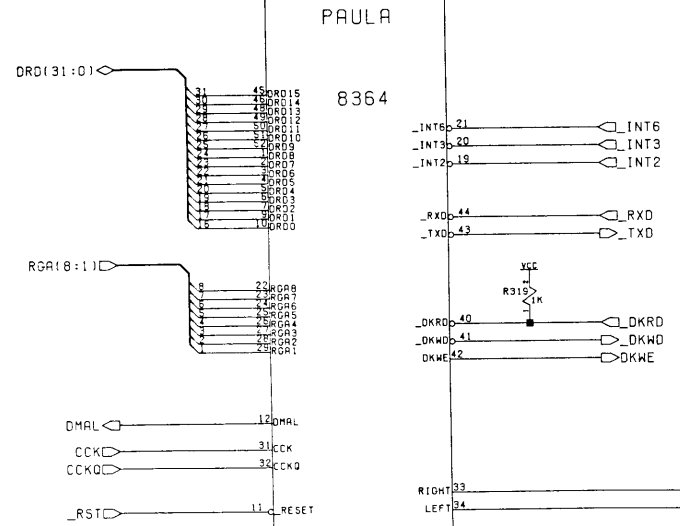
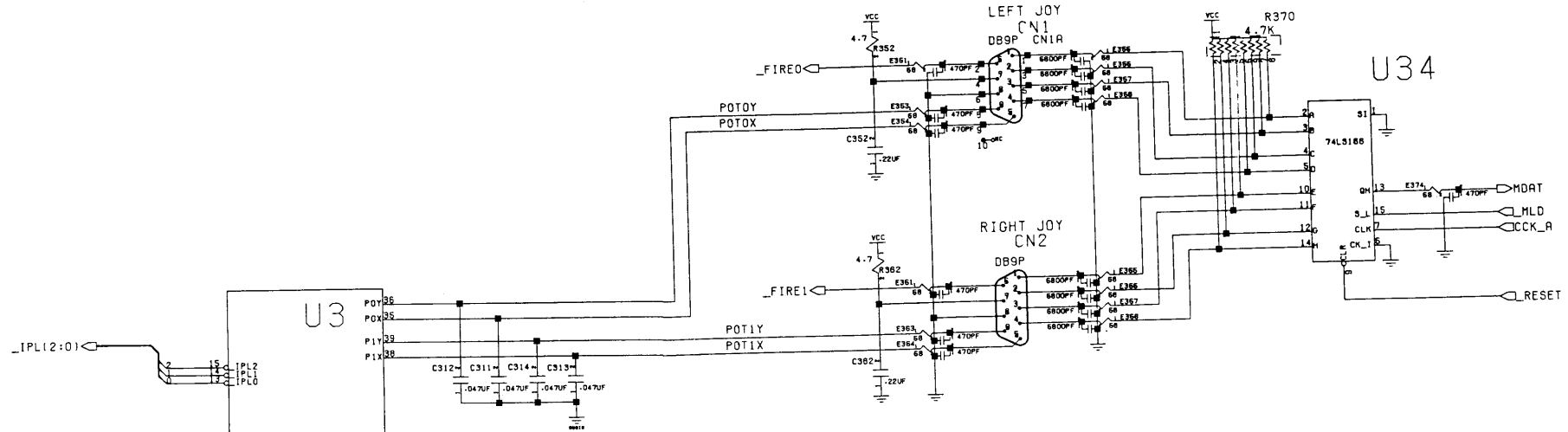
A1200 REV 1->1D PCB

© 1981 COMMODORE BUSINESS MACHINES
 INFORMATION CONTAINED HEREIN IS THE UNPUBLISHED
 CONFIDENTIAL AND TRADE SECRET PROPERTY OF
 COMMODORE BUSINESS MACHINES. IN NO WAY
 SHOULD THIS INFORMATION BE DISCLOSED OR REPRODUCED
 WITHOUT THE WRITTEN PERMISSION OF
 COMMODORE. ITS STRICTLY PROHIBITED.

THE NEW HOME OF THE KEYBOARD VIRUS
COMMODORE
 SCHEMATIC A1200 A1D
 C/A:200 MAIN BOARD
 CHANNEL 27
 PART 364717 B
 SCALE 1/8"=1" SHEET 9 OF 13

C.R.D. GENERATED
 NO MANUAL CHANGES MAY BE MADE TO THIS DOCUMENT

MOUSE/JOYSTICK PORTS



NOTE: LED OFF, FILTERS BYPASSED

AUDIO FILTERS

A1200 REV 1->1D PCB

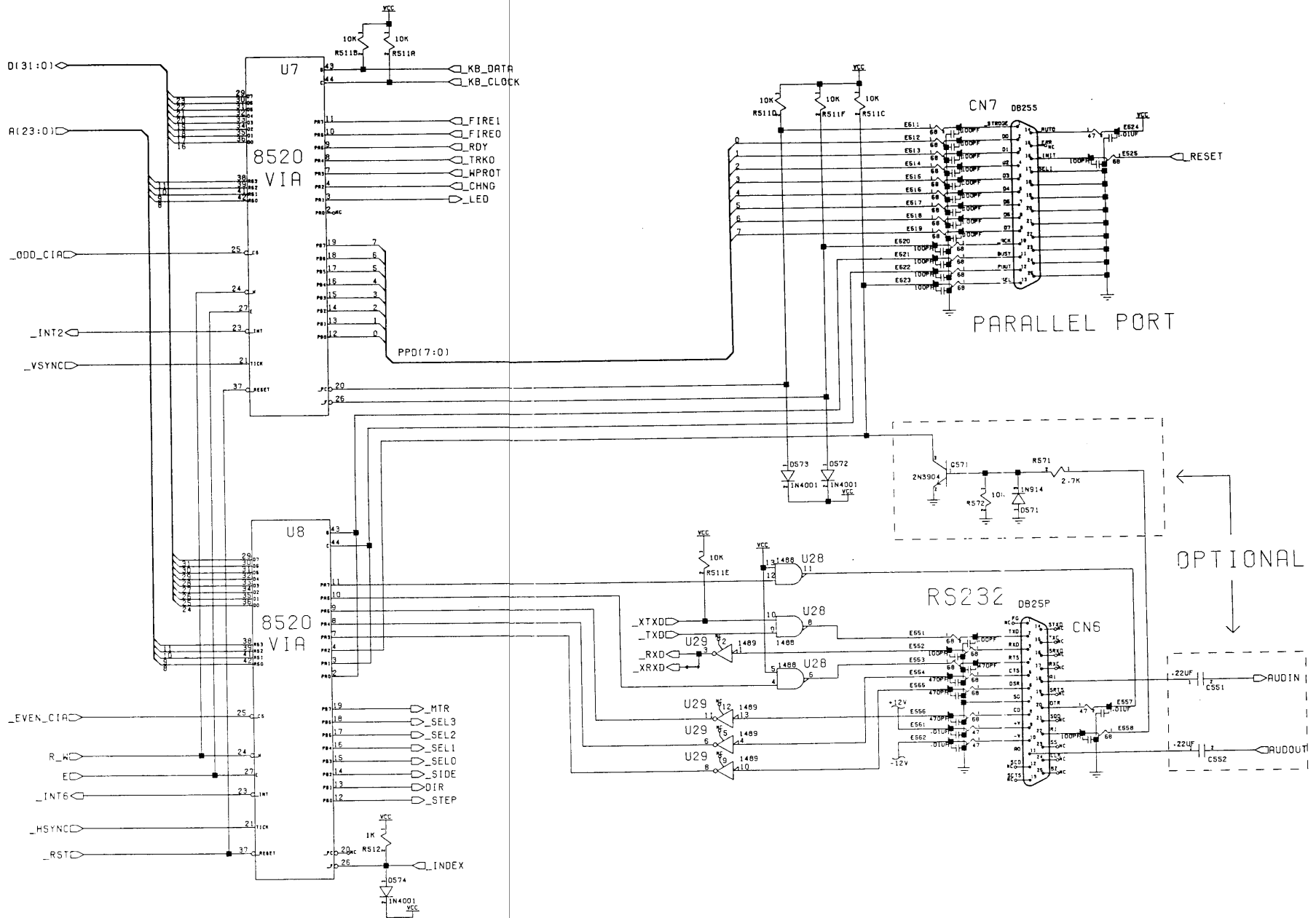
PAULA PREFERS THE TRADITIONAL MODES

© 1981 COMMODORE BUSINESS MACHINES
 ALL RIGHTS RESERVED. THIS DOCUMENT IS THE PROPERTY OF COMMODORE BUSINESS MACHINES, INC. AND IS LOANED TO YOU. REPRODUCTION OR DISSEMINATION OF THIS DOCUMENT WITHOUT THE WRITTEN PERMISSION OF COMMODORE IS STRICTLY PROHIBITED.

C.H.D. GENERATED

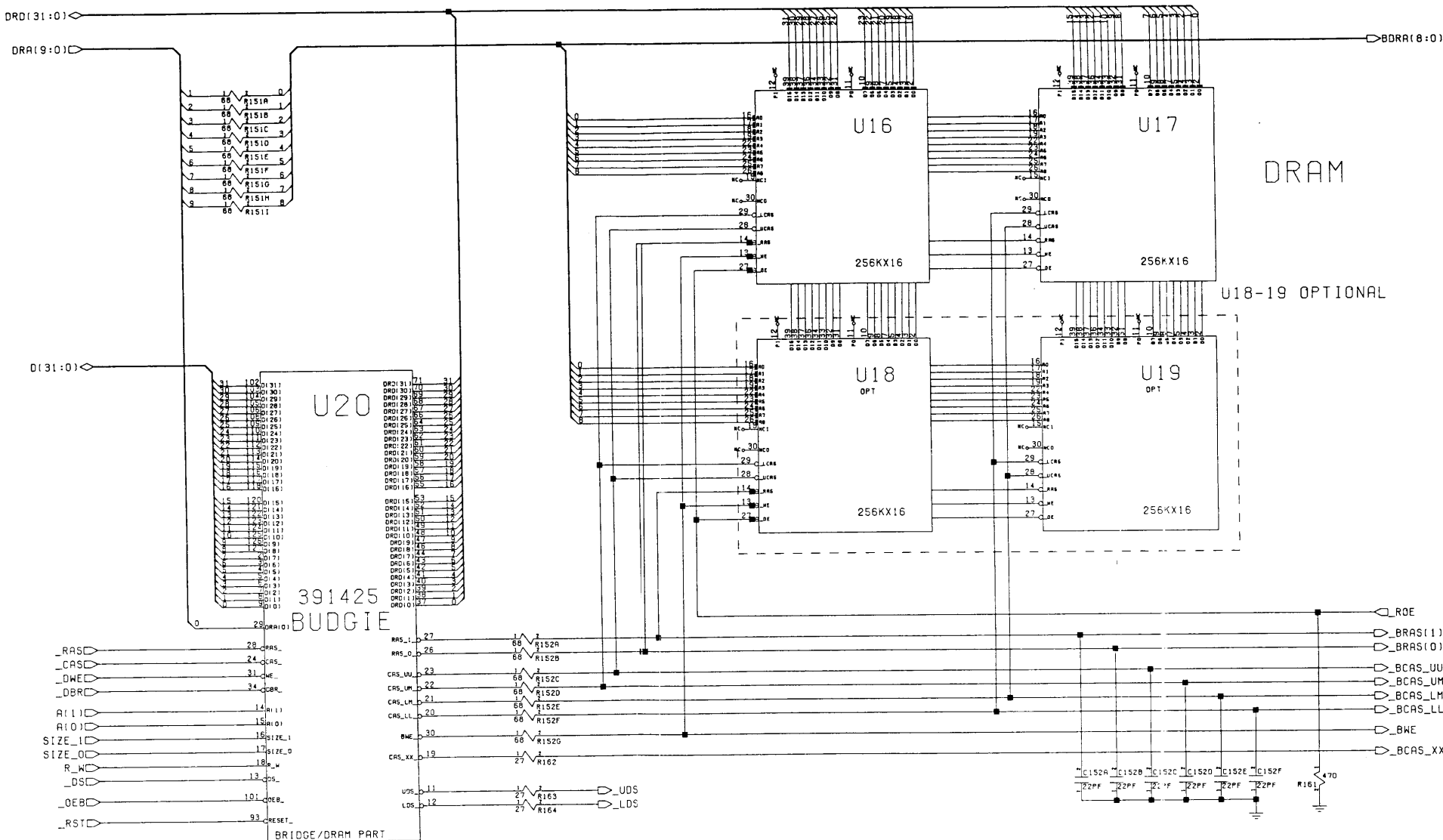
NO OTHER CHANGES WERE MADE TO THIS DOCUMENT

COMMODORE
 A1200 MAIN BOARD
 CHANNEL 2
 1364717 B
 SHEET 5 OF 13



A1200 REV 1->1D PCB

SERIAL AND PARALLEL PORTS
 © 1981 COMMODORE BUSINESS MACHINES
 ALL RIGHTS RESERVED
 COMMODORE BUSINESS MACHINES
 1500 AVENUE OF THE STARS
 FORT LEE, NJ 07024
 U.S.A.
 COMMODORE A1200 MAIN BOARD
 CHANNEL 2
 364717
 C.A.D. GENERATED
 NO PARTS CHANGE MAY BE MADE IN THIS DOCUMENT
 SHEET 7 OF 13



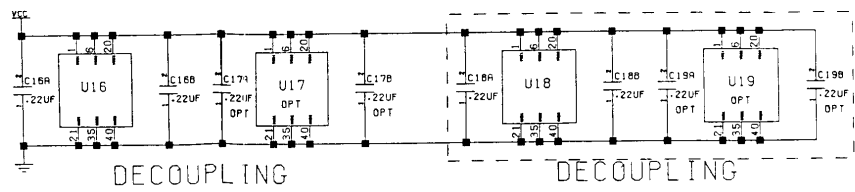
DRAM

U18-19 OPTIONAL

391425
BUDDIE

BRIDGE/DRAM PART

U18-19 OPTIONAL



A1200 REV 1->1D PCB

DECOUPLING

DECOUPLING

© 1991 COMMODORE BUSINESS MACHINES
 INFORMATION CONTAINED HEREIN IS THE UNCLASSIFIED, CONFIDENTIAL AND TRADE SECRET PROPERTY OF COMMODORE BUSINESS MACHINES, INC. AND USE, REPRODUCTION OR DISSEMINATION OF THIS INFORMATION WITHOUT THE WRITTEN PERMISSION OF COMMODORE IS STRICTLY PROHIBITED.

DESIGN BY: []
 DRAWN BY: []
 CHECKED BY: []
 DATE: []

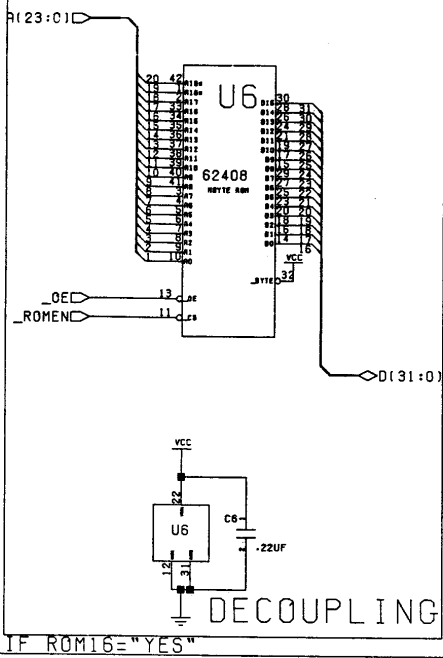
COMMODORE
 CHEMISTE ALCO RD
 FORT LEWIS, CO 80541
 CHANNEL 2

SCALE: 1:1
 SHEET 3 OF 13

364717 E

C.A.D. GENERATED
 NO MANUAL CHANGES MAY BE MADE TO THIS DOCUMENT

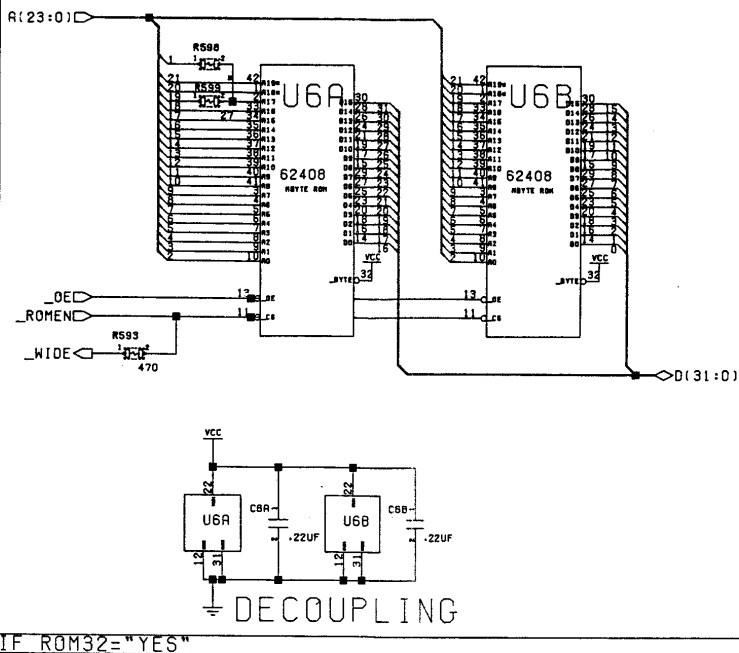
16-BIT ROM



DECOUPLING

IF ROM16="YES"

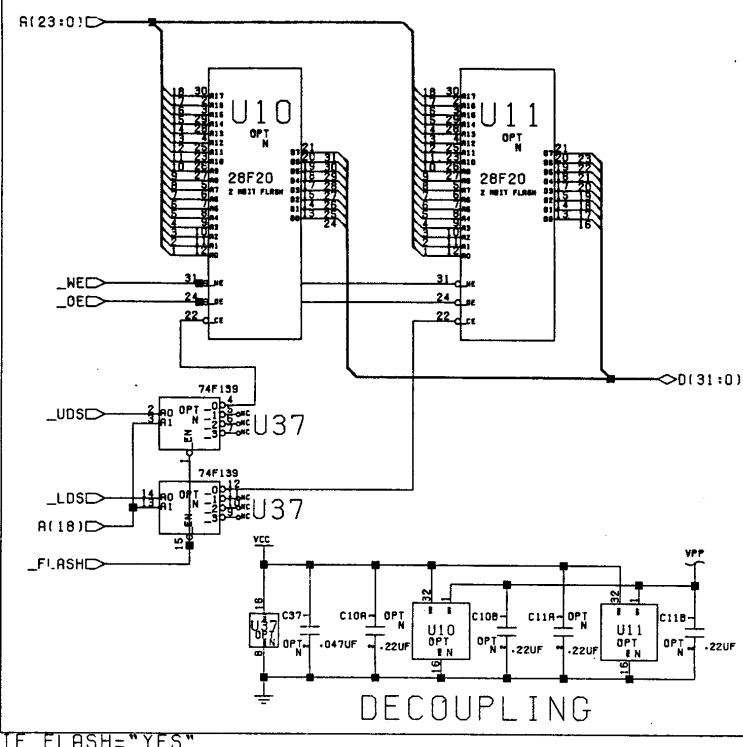
32-BIT ROM



DECOUPLING

IF ROM32="YES"

FLASH MEMORY



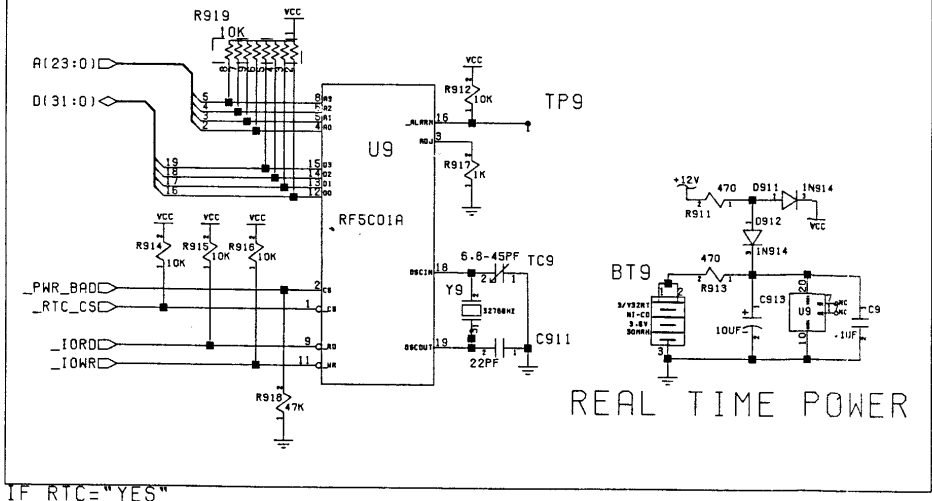
DECOUPLING

IF FLASH="YES"

16 AND 32-BIT SOCKETS MAY OVERLAP!

OPTIONAL FLASH MEMORY

REAL TIME CLOCK

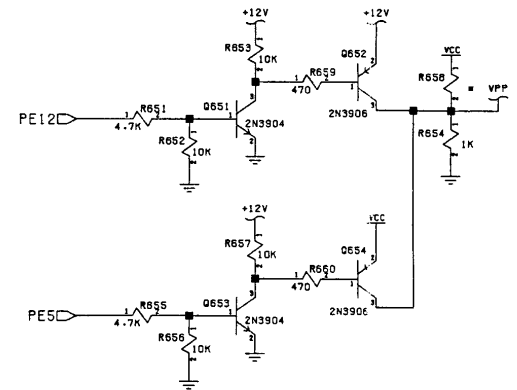


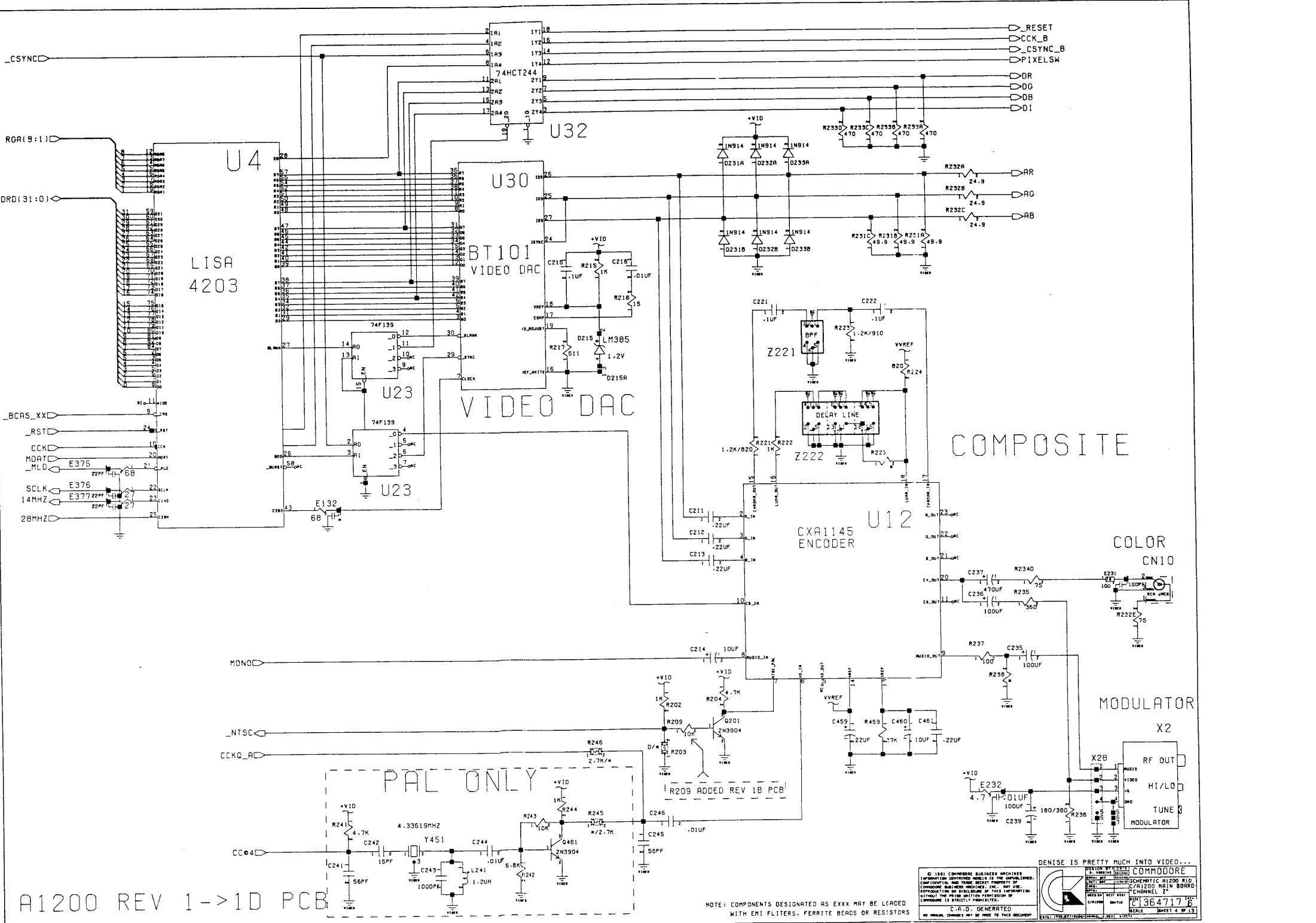
REAL TIME POWER

IF RTC="YES"

OPTIONAL REAL-TIME CLOCK/CALENDAR

PROGRAMMING VOLTAGE





A1200 REV 1->1D PCB

NOTE: COMPONENTS DESIGNATED AS EXXX MAY BE LOADED WITH EMI FILTERS, FERRITE BEADS OR RESISTORS

© 1991 COMMODORE BUSINESS MACHINES
 INFORMATION CONTAINED HEREIN IS THE UNPUBLISHED, CONFIDENTIAL AND TRADE SECRET PROPERTY OF COMMODORE BUSINESS MACHINES, INC. ANY REPRODUCTION OR DISSEMINATION OF THIS INFORMATION WITHOUT THE PRIOR WRITTEN PERMISSION OF COMMODORE IS STRICTLY PROHIBITED.

C.A.D. GENERATED
 NO MANUAL CHANGES MAY BE MADE TO THIS DOCUMENT

SCHEMATIC A1200 VID BOARD CHANNEL 2
 E1364717
 SCALE SHEET 4 OF 13

DENISE IS PRETTY MUCH INTO VIDEO...